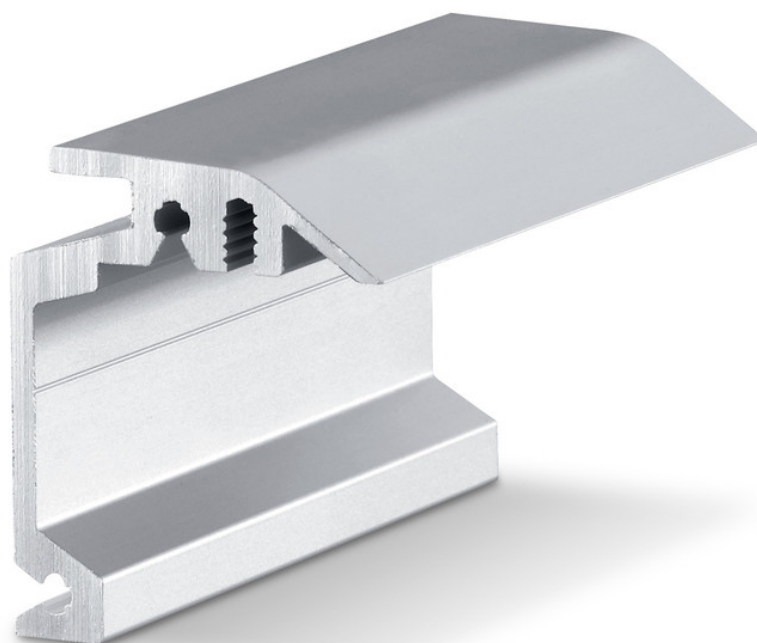


Product data sheet

Wall bracket

concealed Perlän



Wall bracket for concealed wall installation of tracks

AREAS OF APPLICATION

- For wall installation
- For timber leaves with 37 mm thickness
- For concealed installation
- For full-glass doors

Wall bracket concealed Perlan



PRODUCT FEATURES

→ Wall bracket for concealed installation of tracks on the wall and leaf thicknesses up to 37 mm

TECHNICAL DATA

Productname Wall bracket concealed Perlan

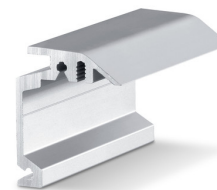
VARIANTS / ORDER INFO

Designation	Description	Ident-No.	Colour
Wall bracket concealed Perlan	bespoke, for use with up to 37 mm leaf thickness	130468	Stainless steel optic
Wall bracket concealed Perlan	bespoke, for use with up to 37 mm leaf thickness	130462	EV1

PART

WALL BRACKET CONCEALED PERLAN

Wall bracket for concealed wall installation of tracks



Designation	Description	Ident-No.	Colour
Wall bracket concealed Perlan	for use up with to 37 mm leaf thickness	130463	Stainless steel optic
Wall bracket concealed Perlan	for use up with to 37 mm leaf thickness	130415	EV1
Wall bracket concealed Perlan	for use up with to 37 mm leaf thickness	130417	EV1
Wall bracket concealed Perlan	for use up with to 37 mm leaf thickness	130418	EV1
Wall bracket concealed Perlan	for use up with to 37 mm leaf thickness	130419	EV1
Wall bracket concealed Perlan	for use up with to 37 mm leaf thickness	130465	Stainless steel optic
Wall bracket concealed Perlan	for use up with to 37 mm leaf thickness	130466	Stainless steel optic
Wall bracket concealed Perlan	for use up with to 37 mm leaf thickness	130464	Stainless steel optic
Wall bracket concealed Perlan	for use up with to 37 mm leaf thickness	130414	EV1