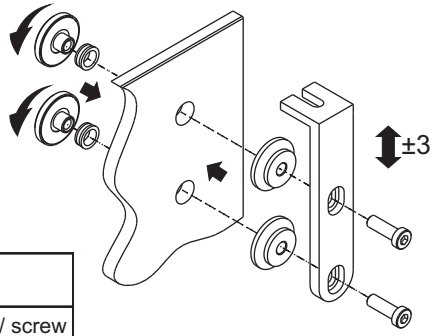
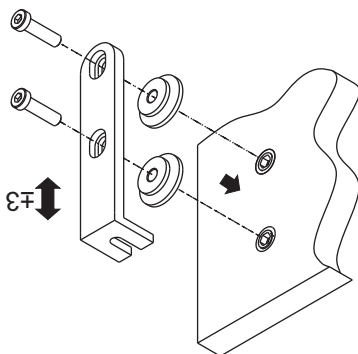
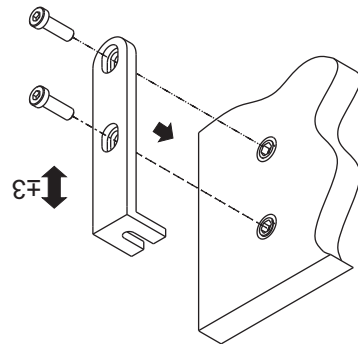
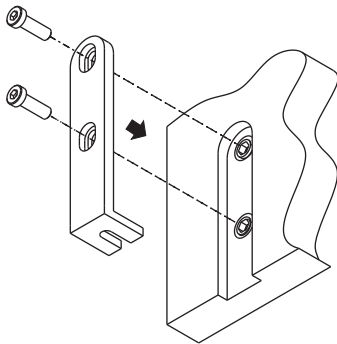
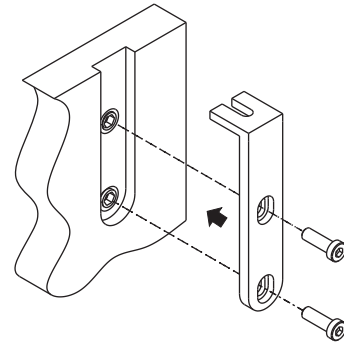
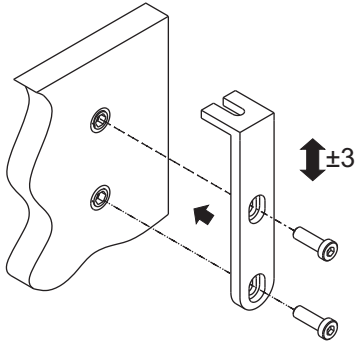
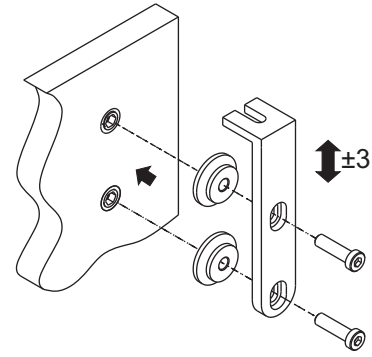


Perlan GGS- Glasfluegel / glass leaf	
Glasstaerke glass thickness	Schraube / screw DIN 6912 A2
8	M8x20
10 / 12	M8x25



Anzugsmoment
clamping torque
11 - 13 Nm



Anzugsmoment
clamping torque
11 - 13 Nm

Perlan GGS- Glasfluegel / glass leaf	
Glasstaerke glass thickness	Schraube / screw DIN 6912 A2
8	M8x20
10 / 12	M8x25

