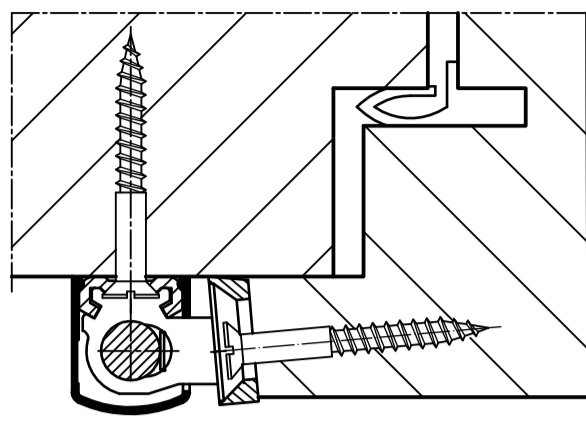
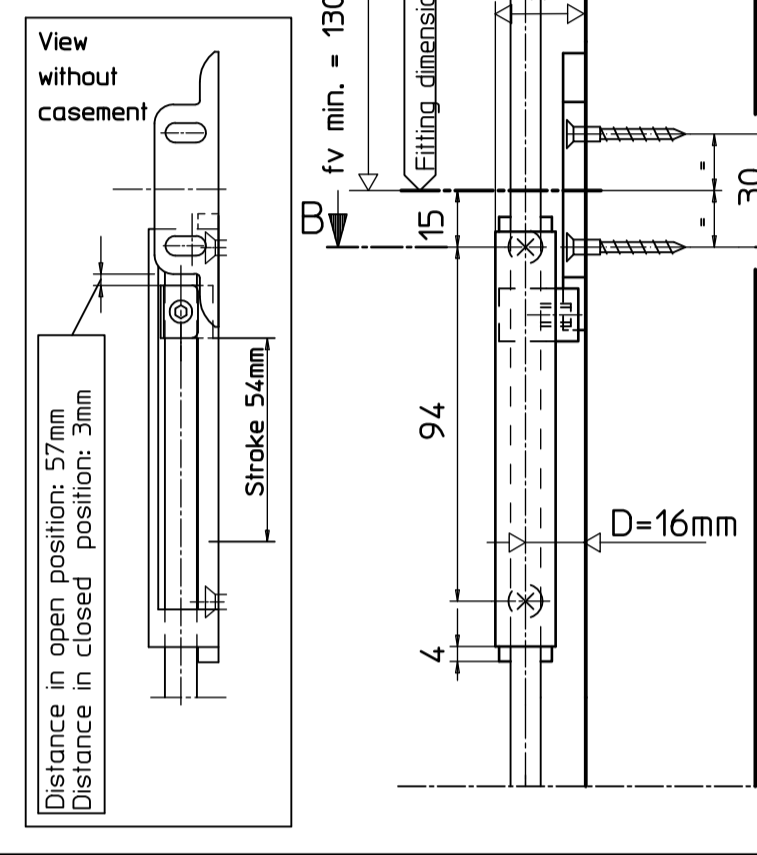


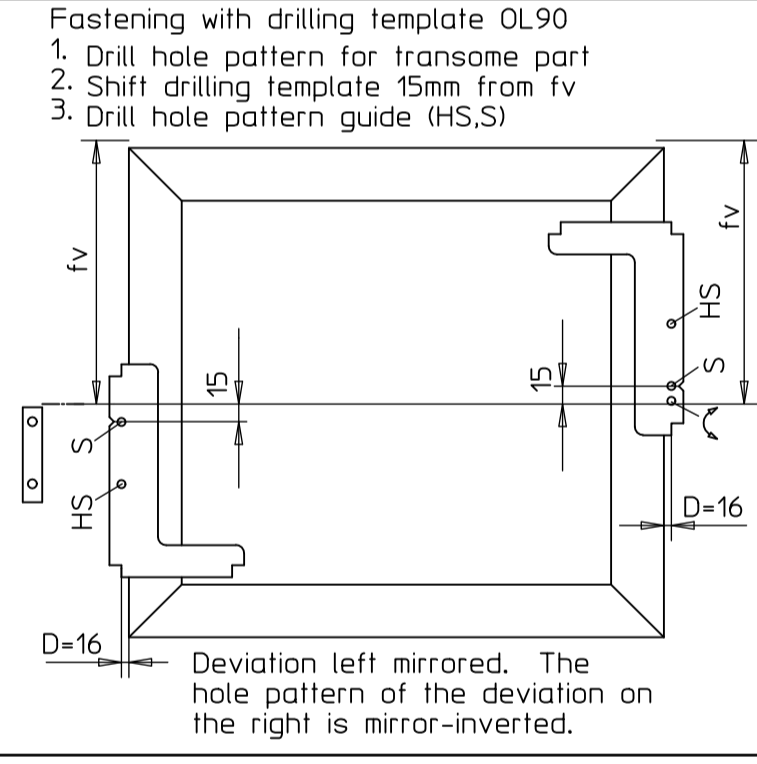
Additional locking  
OL90N+OL95 for  
overlap 14 - 25mm  
B - B  
1 : 1



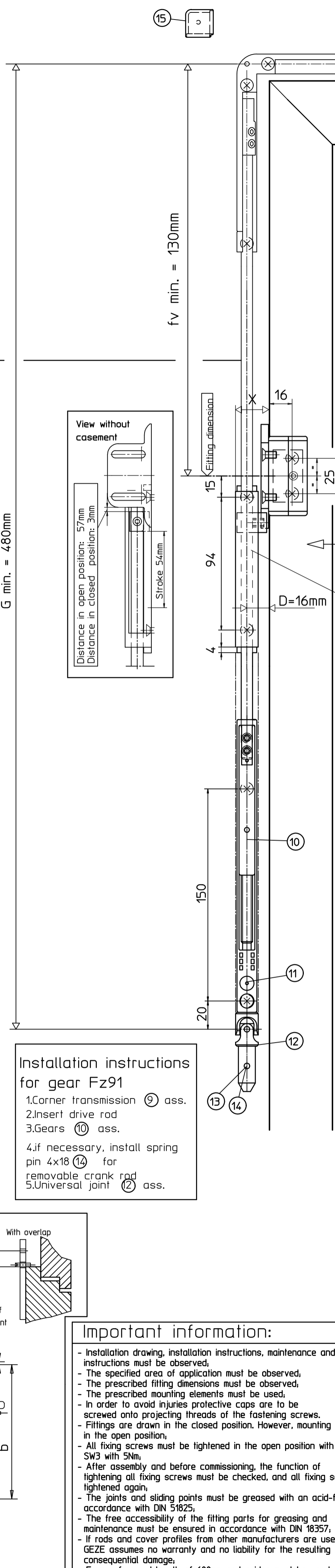
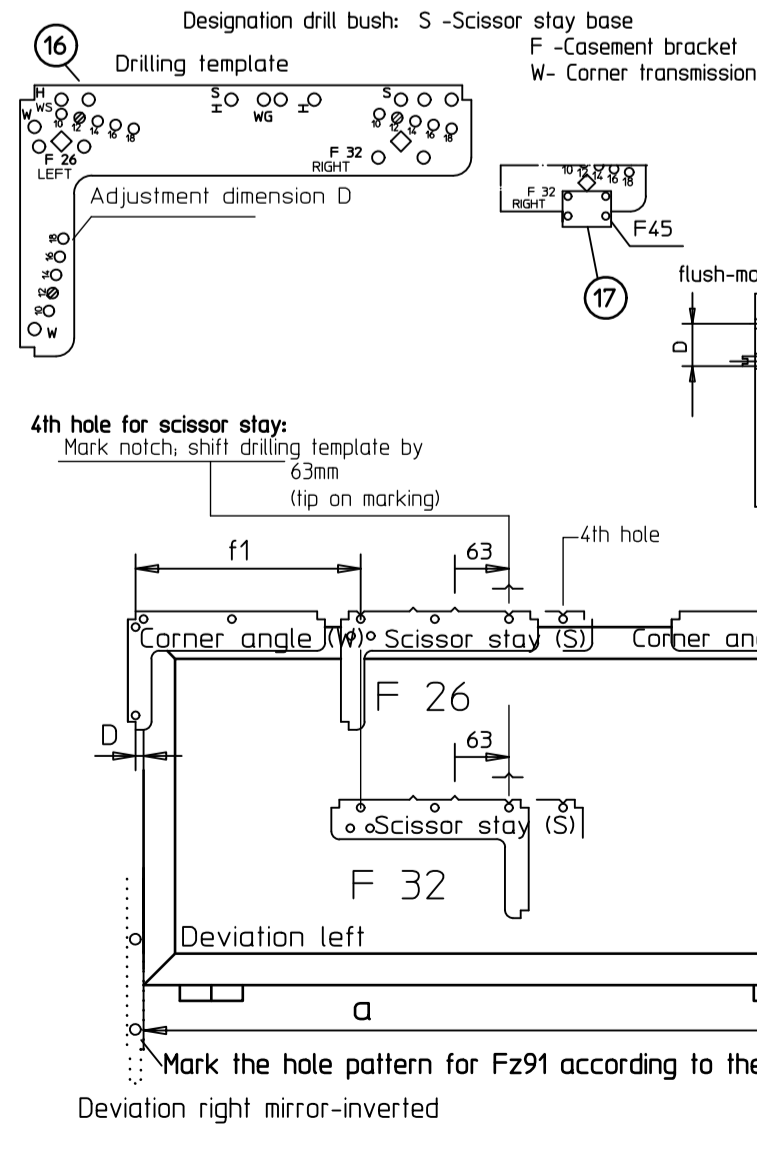
1 : 2  
View without casement



Drilling template OL90N/OL95 Application  
for additional locking overlap 14-25mm



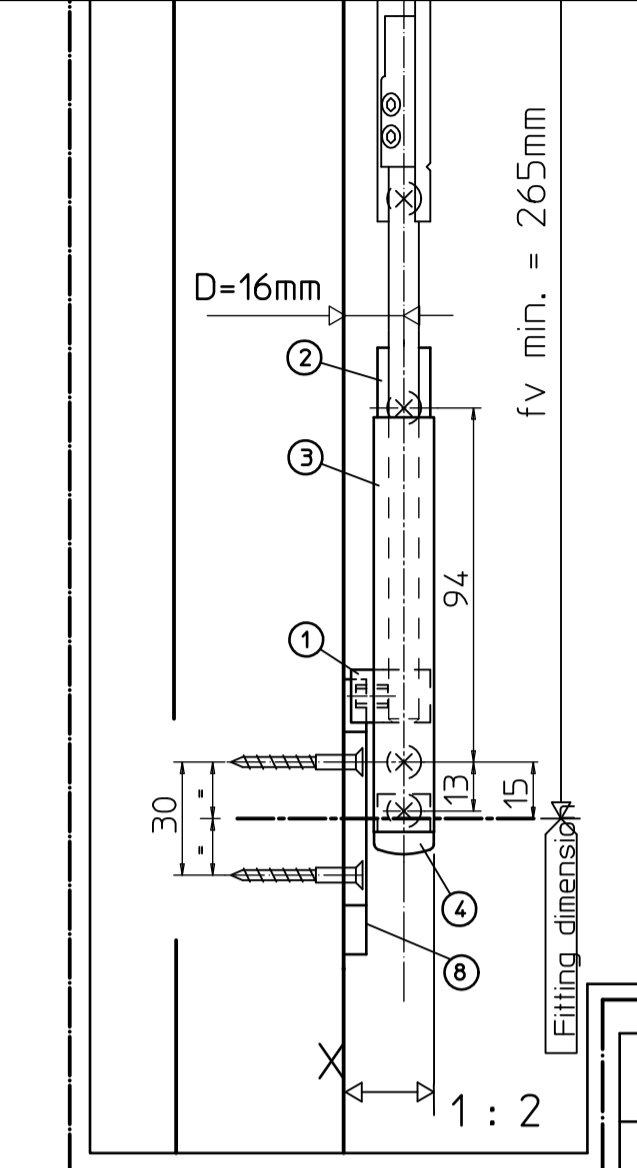
Drilling template for OL90N/OL95



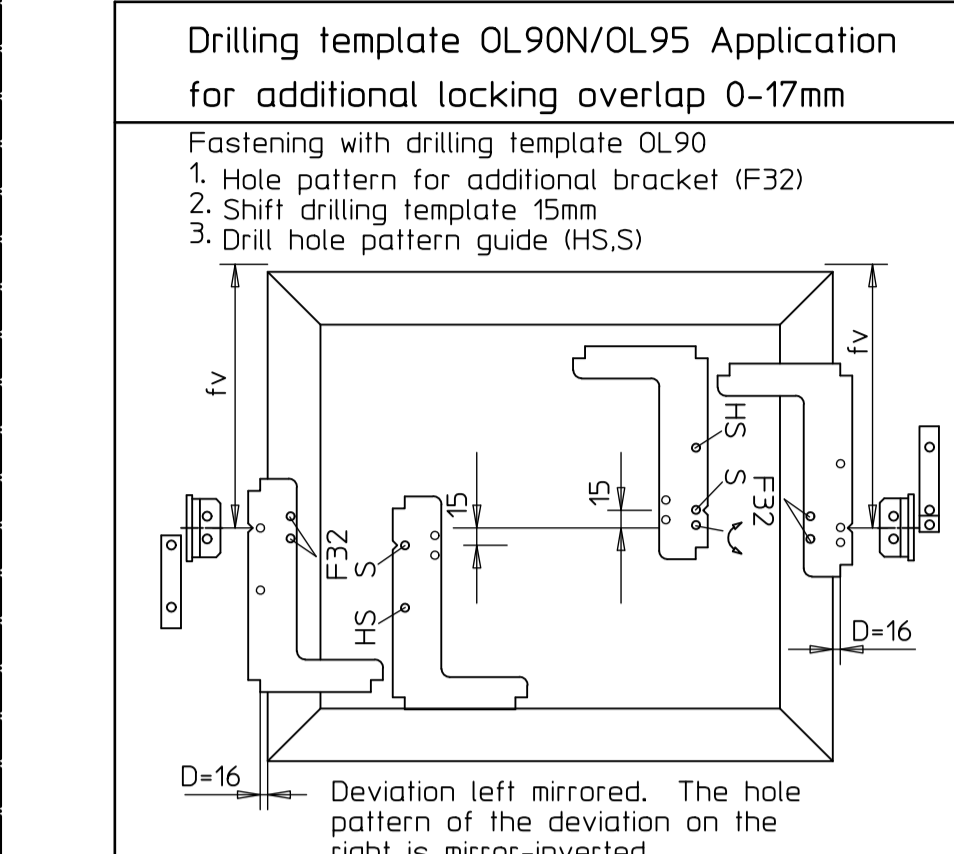
Additional locking OL90N+OL95 for 0 - 17 mm overlap

Scissor stay OL95

Additional locking  
OL90N+OL95 for  
overlap 14 - 25mm



Further installation drawings for GEZE OL95 :  
OL95 additional locking 40445-EP-10  
OL95 with gear Fz91 or Fz92 for pitched window 40445-EP-09  
OL95 with gear Fz91 or Fz90L/R Crank rods and accessories 40445-EP-05  
for gears Fz90,Fz91,Fz92 40444-EP-11

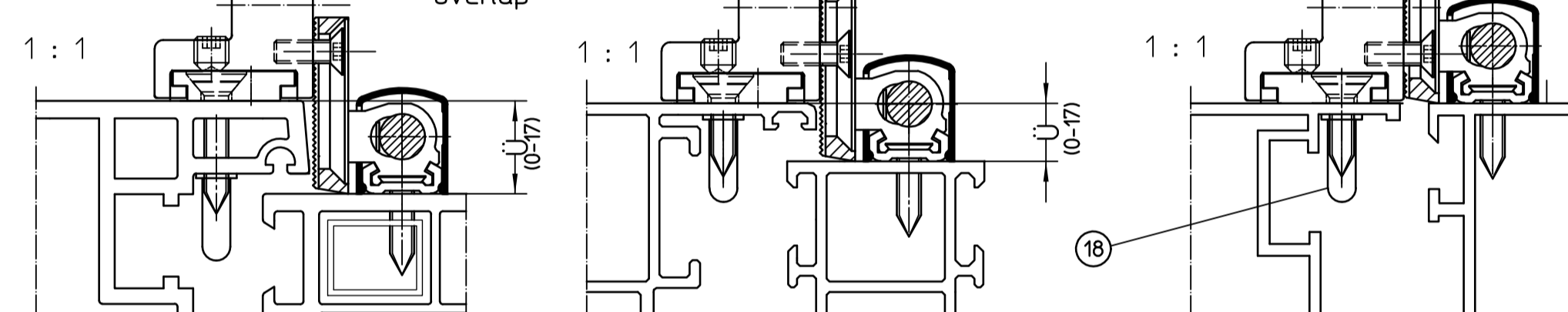


Hole pattern for additional locks between fitting parts  
Make sure to grease the chisel!

Deviation left mirrored; the hole pattern of the deviation on the right is mirror-inverted.  
Hardware parts are drawn in closed position, assembly in open position

Hole pattern for last additional locking with end cap

A - A at the synthetic window  
A - A at the aluminium window with overlap  
A - A at the flush aluminium window



Technical data  
- Opening width approx. 220mm  
- Fitting stroke 54mm  
- max. locking force 150N  
- Pre-tightening 4mm  
- Overlap 4.5mm

Casement width a	f-dimensions	Rectangular window Lengths of rods (L0,LZ) and cover profiles (LA) (cover profiles with cover cap or mitre cut)
612- 845	f1=a-432 f4=464	1 scissor stay LA1=f1-9 LA1=f1-25 LA2=f4-264.5 LA2=f4-280.5 L0=f1+f4-144 a = min.612
845-1200	f1=a/2-10 f4=f1+51	2 scissor stays LA1=f1-9 LA1=f1-25 LA2=f4-264.5 LA2=f4-280.5 L0=f1+f4-144 a = min.612
1120-1270	f1=a-934 f2=502 f4=464	2 scissor stays LA1=f1-9 LA1=f1-25 LA2=f4-264.5 LA2=f4-280.5 L0=f1+f4-144 a = min.612
1270-2400	f1=a/3-87 f2=a/3-79 f4=a/3+40	2 scissor stays LA1=f1-9 LA1=f1-25 LA2=f4-264.5 LA2=f4-280.5 L0=f1+f4-144 a = min.612
1620-1700	f1=a-1436 f2=502 f3=f2 f4=464	3 scissor stays LA1=f1-9 LA1=f1-25 LA2=f4-264.5 LA2=f4-280.5 L0=f1+f2+f3+f4-144 a = min.612
1700-2800	f1=a/4-161 f2=a/4+77 f3=f2 f4=a/4+39	3 scissor stays LA1=f1-9 LA1=f1-25 LA2=f4-264.5 LA2=f4-280.5 L0=f1+f2+f3+f4-144 a = min.612

Area of application

The opening width of the OL95 scissor stay is approx. 220mm, the fitting stroke is 54mm.  
The OL95 can be used for vertically installed rectangular windows with bottom order top-hung casements inward opening in dry interiors.  
All other applications must be requested from the factory.

Panel weight	Max. permissible casement width 1 casement (mm)	Max. permissible total casement width 2 casements (mm)	Max. permissible total casement width 3 casements (mm)	Number of scissiors (min)
bis 20 kg/m <sup>2</sup>	1200	-	-	1
	2400	2400	-	2
	3000	2700	2700	3
bis 25 kg/m <sup>2</sup>	1200	-	-	1
	2400	2400	-	2
	2700	2400	2400	3
bis max.30 kg/m <sup>2</sup>	1200	-	-	1
	2000	2000	-	2
	2000	2000	2000	3

A maximum of 3 scissiors may be mounted.  
In order to ensure the necessary driving rain safety of the window according to DIN 18055 for the respective application, we recommend the installation of 1000mm or 2 scissor stays from a=1050 mm, or 3 scissiors from a=550 mm.  
The additional locking can be fitted in the case of right and left deviation.  
Provided that the range of application of the OL 95 (see table) is not exceeded, the total casement weight must not exceed 60 kg.  
a = Casement width (min. 612mm) of sum of all casement widths  
b = Casement height (min. 480mm)  
i = Distance from the centre of gravity of the casement to the hinge pivot point min. 10 max. 60 mm  
U = Overlap height 0-25mm  
D = Outer edge of casement to centre of V-arm (see table)  
X = Side clearance (see table)  
Y = Upper clearance (see table)

Casement height b	D-dimension top	Clearance Y top
from 480mm	14 to 18mm	D + 9mm

Deviation	D-dimension side	Side clearance X
Gear Fz91 with fixed crank rod	16mm	25mm
removable crank rod	16mm	30mm

Mounting elements

Window type	Fixing screws	DrillØ
Wood	Countersunk wood screws 4x35 DIN 97 or DIN 7997	2.5mm
Aluminium	Countersunk self-tapping screws 4.2xL DIN7972 or DIN7982 Screw must go through min.18mm profile wall	3.5mm
Plastic	Countersunk self-tapping screws 4.2xL DIN7972 or DIN7982 Screw must go through min.2 profile walls	3.5mm

Installation instructions for gear Fz91  
1. Corner transmission (9) ass.  
2. Insert drive rod  
3. Gears (10) ass.  
4. if necessary, install spring pin 4x18 (14) for removable joint (2) ass.

Important information:  
- Installation drawing, installation instructions, maintenance and operating instructions must be observed.  
- The specified area of application must be observed.  
- The prescribed fitting dimensions must be observed.  
- The prescribed mounting elements must be used.  
- In order to avoid injuries protective caps are to be screwed onto projecting threads of the fastening screws.  
- Fittings are drawn in the closed position. However, mounting is carried out in the open position.  
- All fixing screws must be tightened in the open position with an Allen key SW3 with 5Nm.  
- After assembly and before commissioning, the function of tightening all fixing screws must be checked, and all fixing screws must be tightened again.  
- The joints and sliding points must be greased with an acid-free grease in accordance with DIN 51825.  
- The free accessibility of the fitting parts for greasing and maintenance must be ensured in accordance with DIN 18357.  
- If rods and cover profiles from other manufacturers are used, GEZE assumes no warranty and no liability for the resulting damage and consequential damage.  
- From a free rod length of 600mm, rod guides must be used.  
- The use of a suitable safety catch is prescribed for bottom-hung windows (see GEZE gripping and cleaning scissor stay).

Order requirements\* for rectangular windows with OL95, Fz91 and additional locking

Overlap	Material	A	B	C	D	E	F	F1
Overlap 0-17mm	(al. window)	2X		X	X	X		
Overlap 0-17mm	(wood and plastic)	2X		X	X	X	X	X
Overlap 14-25mm	(al. window)		2X	X	X	X		
Overlap 14-25mm	(wood and plastic)		2X	X	X	X	X	X

\* Cover profile and rod must be ordered separately

No.	Name	Ident no. for version:					Pc.
		EV1	dark bronze	white RAL 9010	white RAL 9016	RAL	
A	Additional locking OL90N for overlap 0-17mm (1 piece) Content: 1 Sliding part 2 Guide 3 Cover for locking mechanism 4 End cap 5 Additional bracket for transome part 6 Screw plate 7 Connection 18 Protective cap	30519	30520	30521	30523	30522	5
B	Additional locking OL90N for overlap 14-25mm (1 piece) Content: 1 Sliding part 2 Guide 3 Cover for locking mechanism 4 End cap 5 Transome part 7 Connection 18 Protective cap	30524	30525	30526	30528	30527	5
C	Corner transmission for gear Fz91 Content: 1 Corner transmission 10 Gear 11 grub screw M4x10.8 of universal joint 12 Spring pin 4x16 for fixed crank rod 14 Spring pin 4x20 for removable crank rod 15 Cover cap	30817 galvanized	30818 black	30817 galvanized	30817 galvanized	30817 or 30818	6
D	Corner transmission	70546					4
E	for rectangular Scissor stay OL95	82445	82446	82447	82448	82449	7
F	Scissor stay OL95 without casement bracket	84194	84195	84196	84197	84199	5
F1	Casement bracket for wooden windows with Euro-groove F=45	30886	30887	30888	30890	30889	2
	Rods and cover profiles	Cover profile L=2m *	30401	30402	30403	30405	30404
		Cover profile L=3m *	30396	30397	30398	30400	30399
		Cover profile L=6m	27558	27559	27560	27561	
	Rod Ø8 galvanised L=2m	16555					
	Rod Ø8 galvanised L=3m	16591					
	Rod Ø8 galvanised L=6m	16592					
16	Accessories (*Must be ordered separately) Drilling template OL90N/OL95	For wood 54799 yellow		for plastic/metal 54800 blue			
17	Additional drilling template OL90N/OL95 for wooden windows F=45 Rod coupling OL90	28141					
18	Rod guide	10878					1 each

\* Cover profile mitre cut on both sides